

Kelvion CMK blast freezer (Cu/Al)

# THE SOLUTION FOR BLAST CHILLING & FREEZING



## YOUR BENEFITS

- ▶ **For blast chilling and freezing application:** Specially designed for quick chilling and freezing of food products; large scale kitchens, bakery products, pizza and vegetables meat or sausages, fish, poultry and the production of ice cream
- ▶ **Application optimized:** refrigerant distribution and circuiting
- ▶ **Optimized heat exchanger geometry and an aerodynamically intergrated fan system:** Higher specific power, reduced fan speed and air velocity through the coil and significantly reduced current consumption
- ▶ **Blow-through fans** achieve an optimal air speed
- ▶ **Quick freezing process:** Minimize the weight loss and conserving the qualities of the food product. Standard 50 Pa or 100 Pa external pressure available
- ▶ CAL® distributor option available
- ▶ **Long-term assurance:** future-proof, highly efficient, ErP fans
- ▶ **Construction** for adjustable floor mounting (optional)
- ▶ **Optimized ratio** price/kW

## CAPACITY RANGE

**HFO/HFK 13 kW - 116 kW**

$t_{li} = -18^{\circ}\text{C} \mid t_o = -25^{\circ}\text{C} \mid \text{DT} = 7\text{K} \mid [\text{SC3}] \mid \text{R404A}$



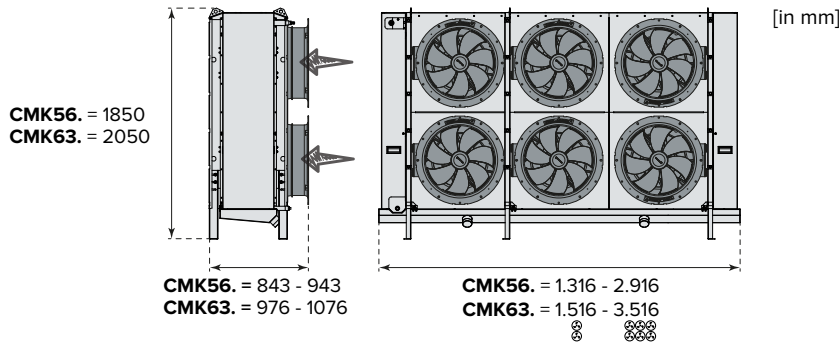
**12 kW - 115 kW**

$t_{li} = -18^{\circ}\text{C} \mid t_o = -25^{\circ}\text{C} \mid \text{DT} = 7\text{K} \mid [\text{SC3}] \mid \text{Up to 60 bar}$

**Coolant 27 kW - 206 kW**

$t_{li} = 5^{\circ}\text{C} \mid t_{in} = -7^{\circ}\text{C} \mid t_{out} = -4^{\circ}\text{C} \mid \text{E-glycol 37\%}$

# AIR DIRECTION & DIMENSIONS



## FANS

▶ AC Technology		Ø 560 mm
▶ EC Technology		Ø 630 mm
▶ 60 Hz		
▶ -40°C applications		
▶ Safety switch		

## HEAT EXCHANGER

- ▶ **Coil block:** Copper tubes | Aluminium fins
- ▶ **Tube System:** Aligned - 15 mm o.d.
- ▶ **Tube spacing:** 50 x 50 mm
- ▶ **Fin spacing:** [in mm]  
B = 7,0 | K = 10,0 | L = 12,0

## DEFROST

DEFROST	FAN	COIL	DRIP TRAY
ELECTRIC	✓	✓	✓
HOT GAS		✓	✓
WATER		✓	✓
BRINE (integrated circuit)		✓	

## VARIANTS & ACCESSORIES

- ▶ Insulated fan heating
- ▶ Insulated drip tray and/or fan plate
- ▶ Hinged fans (new optimized solution!)
- ▶ Up to 60 bar with CO<sub>2</sub>
- ▶ Side cover plates over the bends
- ▶ Multiple injections via CAL® distributor
- ▶ Stepless adjustable legs 50-200 mm
- ▶ Pre-painted / Powder coating

## MATERIALS

MATERIAL	COIL BLOCK			CASING	FAN GUARD
	TUBE	FINS	END PLATE		
Aluminium		☑	☑		
Copper	☑				
Aluminium Goldlack coating		✓			
Aluminium AlMg		✓	✓		
Steel sendzimir zinc-plated				☑	
Epoxy spray finishing (RAL9010)				✓	
Powder coating (RAL9010)				✓	
Epoxy spray finishing (RAL 9005)					☑
Stainless Steel V2A (304)	✓*			✓	✓

☑ Standard execution | ✓ Available as a variant  
\* see Kelvion range CML

## NOTE

With our product selection software **Kelvion RT Select & Goedhart selection program**, you can configure our products and spare parts easily and very detailed for your customer. Reliable support during the project planning phase and time savings by means of a detailed selection is guaranteed.