



Kelvion CDK (Cu/Al)

# DUAL PERFORMANCE #KELVION REFRIGERATION



## YOUR BENEFITS

- ▶ **For production and food preparation areas:** Specially designed for where people are working like butcheries and dairies
- ▶ **Application optimized:** refrigerant distribution and circuiting
- ▶ **High level of customization possible** thanks to a comprehensive list of variants and accessories
- ▶ **Suitable for synthetic** (HFK, HFO) **and natural** (CO<sub>2</sub>, Hydrocarbons) refrigerants
- ▶ **Quick and easy to clean:** standard hinged end covers and optional hinged drip trays and hinged fan(s)
- ▶ CAL® distributor option available
- ▶ **Long-term assurance:** future-proof, highly efficient, ErP fans
- ▶ **Construction** for flush ceiling mounting
- ▶ **Optimized ratio price/kW**
- ▶ **Reduced splashing risk**
- ▶ **Optimized air distribution** over the coils by internal air guidance

## CAPACITY RANGE

**HFO/HFK 6,9 kW - 129 kW**

$t_{li}=-0^{\circ}\text{C} \mid t_o=-8^{\circ}\text{C} \mid \text{DT}=7\text{K} \mid [\text{SC2}] \mid \text{R404A}$



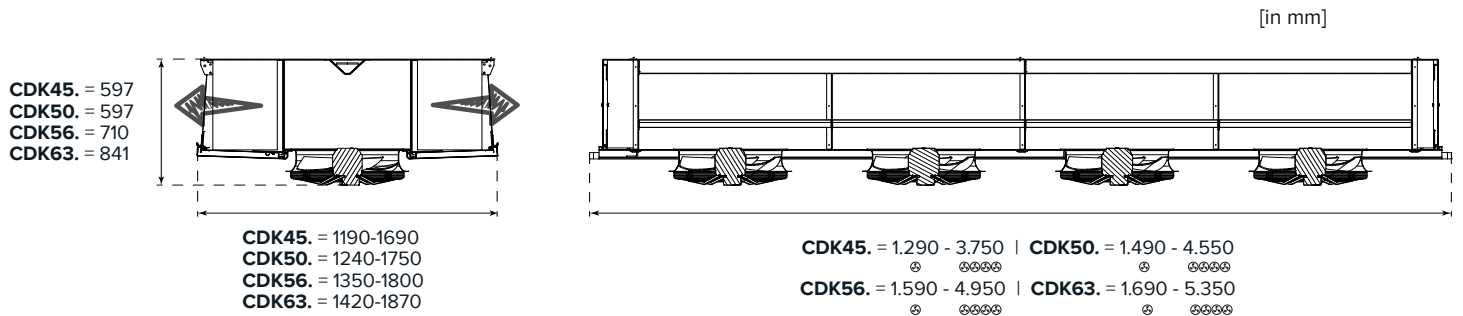
**6,9 kW - 137,4 kW**

$t_{li}=-0^{\circ}\text{C} \mid t_o=-8^{\circ}\text{C} \mid \text{DT}=7\text{K} \mid [\text{SC2}] \mid \text{Up to 60 bar}$

**Coolant 4,4 kW - 74,7 kW**

$t_{li}=5^{\circ}\text{C} \mid t_{in}=-7^{\circ}\text{C} \mid t_{out}=-4^{\circ}\text{C} \mid \text{E-glycol 37\%}$

# AIR DIRECTION & DIMENSIONS



## FANS

▶ AC Technology		Ø 450 mm
▶ EC Technology		Ø 500 mm
▶ 60 Hz		Ø 560 mm
▶ Speed control		Ø 630 mm
▶ Safety switch		

## HEAT EXCHANGER

- ▶ **Coil block:** Copper tubes | Aluminium fins
- ▶ **Tube System:** Aligned - 15 mm o.d.
- ▶ **Tube spacing:** 50 x 50 mm
- ▶ **Fin spacing:** [in mm]  
R = 4,0 | B = 7,0 | K = 10,0

## DEFROST

DEFROST	FAN	COIL	DRIP TRAY
ELECTRIC	✓	✓	✓
HOT GAS		✓	✓
WATER		✓	✓
BRINE (integrated circuit)		✓	

## VARIANTS & ACCESSORIES

- ▶ Insulated fan heating
- ▶ Insulated drip tray and/or fan plate
- ▶ Hinged fans (new optimized solution!)
- ▶ Up to 60 bar with CO<sub>2</sub>
- ▶ Multiple injections via CAL® distributor
- ▶ Anti-condensation heating in drip tray
- ▶ Defrost sensor tube
- ▶ Fan cabling

## MATERIALS

MATERIAL	COIL BLOCK			CASING	FAN GUARD
	TUBE	FINS	END PLATE		
Aluminium		✓	✓		
Copper	✓				
Aluminium Goldlack coating		✓			
Aluminium AlMg		✓	✓		
Steel sendzimir zinc-plated				✓	
Epoxy spray finishing (RAL9010)				✓	
Powder coating (RAL9010)				✓	
Epoxy spray finishing (RAL 9005)					✓
Stainless Steel V2A (304)	✓*			✓	✓

✓ Standard execution | ✓ Available as a variant  
\* see Kelvion range CDL

## NOTE

With our product selection software **Kelvion RT Select & Goedhart selection program**, you can configure our products and spare parts easily and very detailed for your customer. Reliable support during the project planning phase and time savings by means of a detailed selection is guaranteed.